

WOOD STOVE INSTALLATION CHECKLIST

Permit

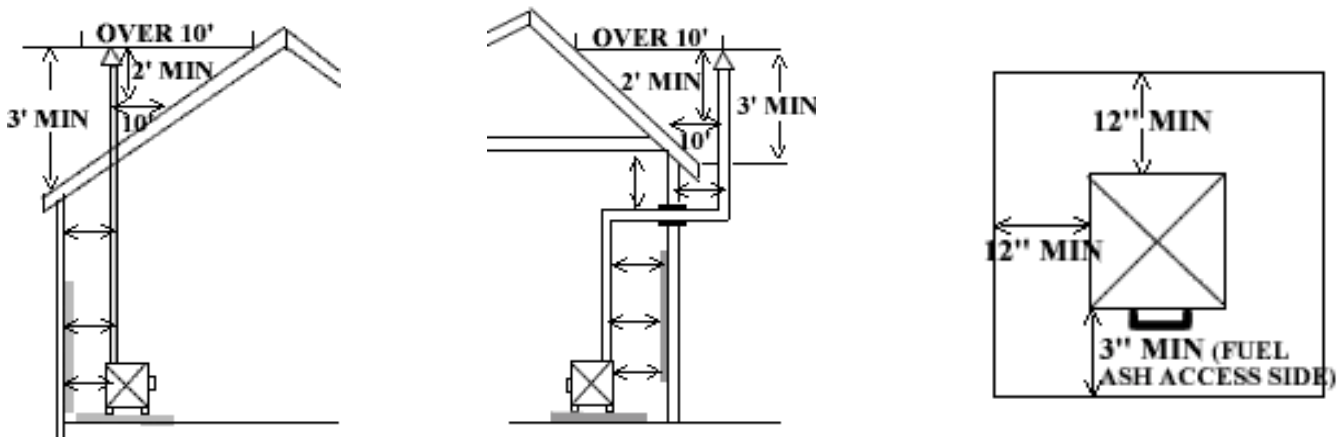
A building permit is required for the installation of any solid fuel burning appliance. The building permit and installation inspection are limited to the stove installation and not to the stove construction.

Stove

A. New _____ Used _____
 B. Type/radiant _____ Circulating _____
 C. Manufacturer _____ Lab. No. _____
 Name/Model No. _____ Collar size _____
 Dimensions/Height _____ Length _____ Width _____

Chimney

A. New _____ Existing _____
 B. Size (flue area) _____
 C. Other appliances attached to flue (Number and flue size) _____
 D. Prefab (Manufacturer's name and type) _____
 E. Masonry/Lined _____ Flue liner _____
 Unlined _____ (type & manufacturer) _____
 F. Height (refer to diagrams) _____ cap _____



CHIMNEY HEIGHT

HEARTH

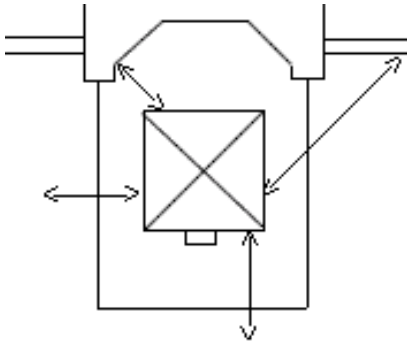
Hearth (non-combustible)

A. Materials _____
 B. Sub-floor construction _____
 C. Minimum dimensions (refer to diagram) _____

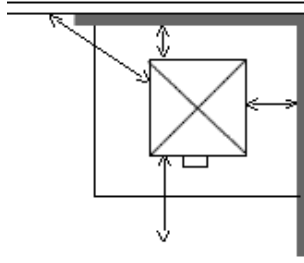
Clearances and Wall Protection (see stove installation clearances chart)

A. Type of wall protection provided _____

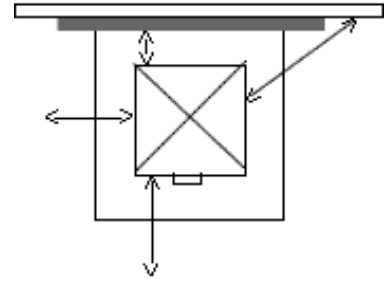
B. Clearances (refer to diagrams) _____



FIREPLACE



CORNER



WALL/CENTER